

MANUAL OIL RECHARGING PUMP SERIES 59



The series 59 manual pump is a useful accessories for recharging series BRK and integrated hydraulic brakes.

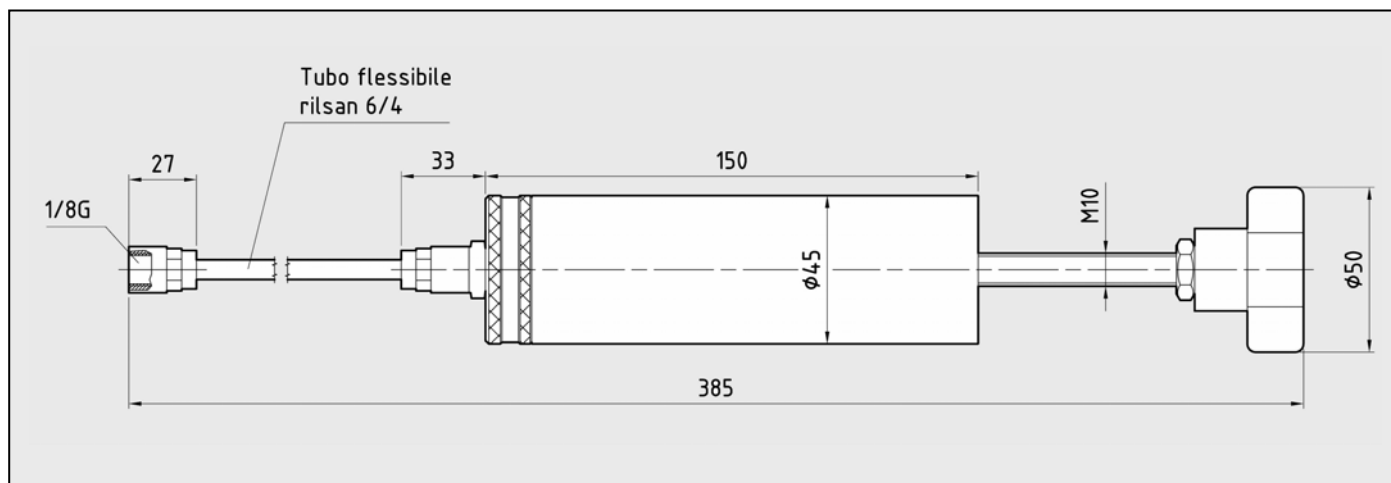
The aluminium chamber filled with oil from the front. When the knob, which is connected to a piston by a threaded bar, is pressed, fluid is forced through a clear Rilsan tube.

At the end of the tube is an 1/8G fitting with a hole in it for connecting to the brake valve.

Comes in a single model.



DIMENSIONS



6/4 Rilsan tube